

POWER INFORMATION

Input Voltage: 100-240 V AC
Input Frequency: 50/60 Hz
Amperage: 0.16-0.06 A
Electric Consumption: 16 W
Plug: Country-specific

SIZING INFORMATION

-specified by volume or odor sources-
AC-05: small, single closet
AC-10: small to medium, ≤3 odor sources
AC-20: medium, ≤6 odor sources
AC-30: large, >6 odor sources
-high trafficked areas may require a larger model-
-large areas may require multiple units-

FEATURES

Wall Plug or Mains Installation
13 foot Power Cord (4 meters)
Ceiling or Wall Mount Kit
Space Saving Design

APPLICATIONS

Animal Odor Removal
Care Homes/Nursing Homes
Food Storage
Garbage/Rubbish Collection
Gymnasiums
Odor Abatement
Restrooms/Washrooms
Smoke Removal

WARRANTY

Warranty valid in United States and Canada.
Contact factory for warranty in other countries.
One year Parts and Labor on entire unit.

Product Certifications:



BioZone AC System



AC-30
Top View Shown



AC-30
Side View Shown



AC-30
End View Shown

- Eliminate odors, smoke, and chemicals
- Reduce bacteria, viruses, mold, and other micro-contaminants
- Improve the hygiene in the air and on surfaces
- Certified to be safe, proven to be effective
- Designed specifically for Restrooms/Washrooms – and more
- Portable or fixed installations
- Completely automated and chemical-free
- Maintenance free – requires simple annual UV lamp replacement(s)

© BioZone Scientific International, Inc.

7751 Kingspointe Parkway
Suite 124
Orlando, FL 32819
USA



BioZone AC 05, 10, 20, 30
Product Family: BioZone AC
Model: AC-05, AC-10, AC-20, AC-30
Description: Air and Surface Purifier



REORDER INFORMATION
Replacement UV Lamps

AC-05: 10-08010
 AC-10: 10-08025
 AC-20: 10-08050
 AC-30: 10-08100

SPECIFICATIONS

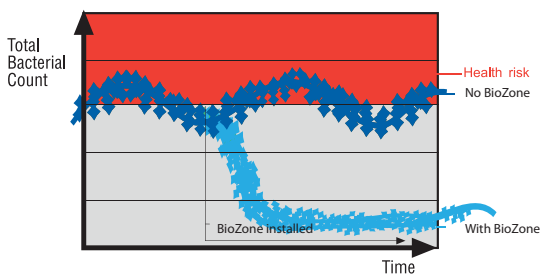
Length: 16.2"
 Width: 5.2"
 Height: 3.65"
 Weight: 2.5 lbs
 Power Cord Length: 13'

CONTENTS

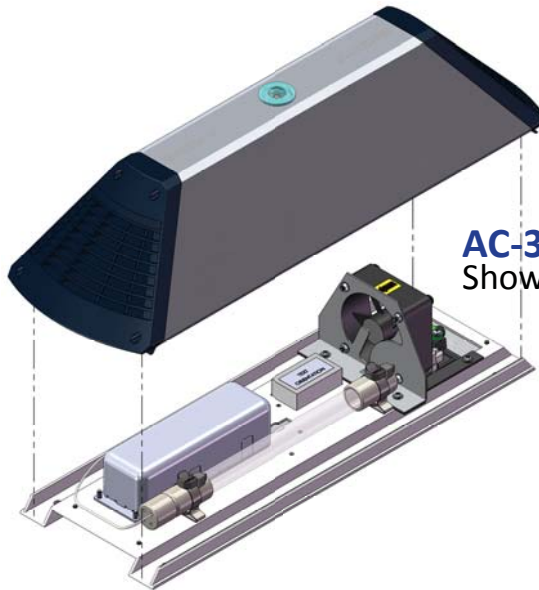
BioZone
 UV Lamp (pre-installed)
 Owner's Manual and Installation Guide
 Lock Key
 Wall Anchor (optional)
 Mounting Screws (optional)

Validation Studies

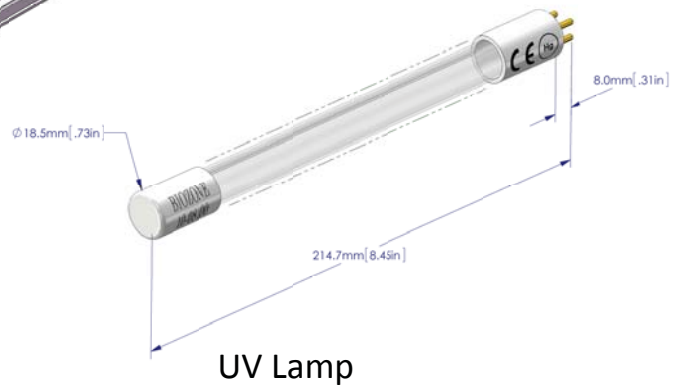
BioZone Technology is shown to reduce:
 >99.999% of surface E. coli^{1,2}
 >99.999% of surface Listeria²
 100% of surface Salmonella²
 98.24% of airborne bacteria³
 100% of airborne H₂S⁴
 >99.999 of Avian Influenza Virus (H5N2)⁵
 >99.999 of Parainfluenza Virus (hPIV-3)⁵



1 Test performed by Pennsylvania State University
 2 Test performed by Tri-Tech Analytical Laboratories
 3 Test performed by LAWN Environmental Ltd
 4 Test performed by SMQ Academy
 5 Test performed by CNRS



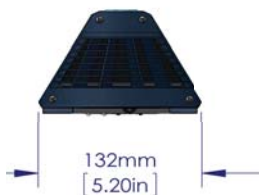
AC-30 with cover removed
Shown



UV Lamp



AC-30
Shown



93mm
[3.65in]

© BioZone Scientific International, Inc.

7751 Kingspointe Parkway
 Suite 124
 Orlando, FL 32819
 USA

